

**INSTALLATION INSTRUCTIONS
BYRNE 8-TRAC SYSTEM
UNDERWRITERS LABORATORIES LISTED
MANUFACTURED WIRE SYSTEM**

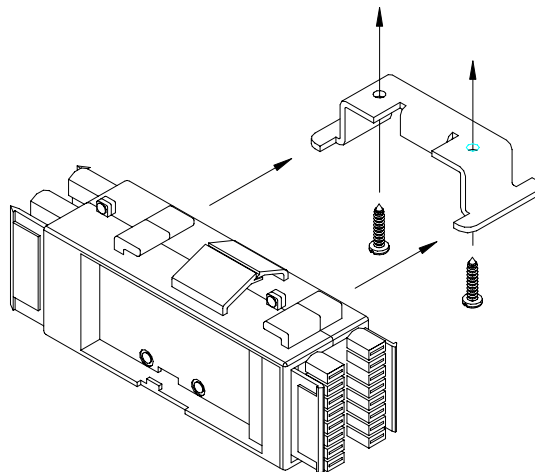
THESE ASSEMBLIES ARE INTENDED FOR INSTALLATION IN ACCESSIBLE, DRY LOCATIONS IN ACCORDANCE WITH ARTICLE 604 OF THE NATIONAL ELECTRIC CODE NFPA 70. TYPICAL APPLICATIONS WOULD BE TO PROVIDE BRANCH CIRCUIT POWER FOR USE ABOVE DROPPED CEILINGS, IN CEILING TO FLOOR PARTITIONS, BELOW RAISED FLOORS, ON MODULAR DESK SYSTEMS, ETC. IF YOU HAVE ANY CONCERNS ABOUT A SPECIFIC APPLICATION, PLEASE CONSULT THE LOCAL AUTHORITY HAVING JURISDICTION. THIS SYSTEM IS RATED FOR A MAXIMUM OF 20 AMPS, 125/250 V, 1-PHASE, 60Hz, OR 120/208 V, 3-PHASE, 60Hz. A LICENSED ELECTRICIAN MUST CONNECT THE POWER FEEDS TO THE BUILDING POWER SOURCE IN ACCORDANCE WITH ALL NATIONAL AND LOCAL ELECTRICAL CODES. REFER TO THE ELECTRICAL LAYOUT TO DETERMINE WHAT COMPONENTS ARE REQUIRED, AND WHERE THEY ARE TO BE USED.

ELECTRICAL COMPONENTS:

DOUBLE BLOCK RACEWAYS
SINGLE BLOCK RACEWAYS
PASS-THRU'S
RECEPTACLES
POWER FEEDS

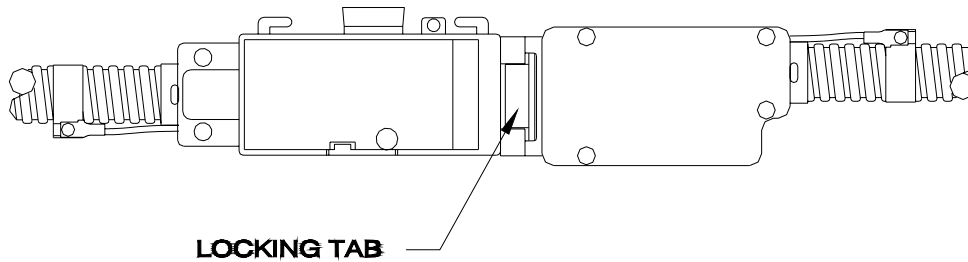
1. INSTALLING RACEWAYS:

THE MOUNTING BRACKETS SHOULD BE SECURELY ATTACHED IN ALL LOCATIONS SHOWN ON THE ELECTRICAL LAYOUT. THEY SHOULD BE ATTACHED USING #10 SCREWS OR EQUIVALENT TO PROVIDE A SECURE ATTACHMENT. THE JUNCTION BLOCK OF THE RACEWAY ASSEMBLY SHOULD THEN BE SLID ONTO THE MOUNTING BRACKET UNTIL IT IS CENTERED AND THE LATCH SNAPS IN PLACE.



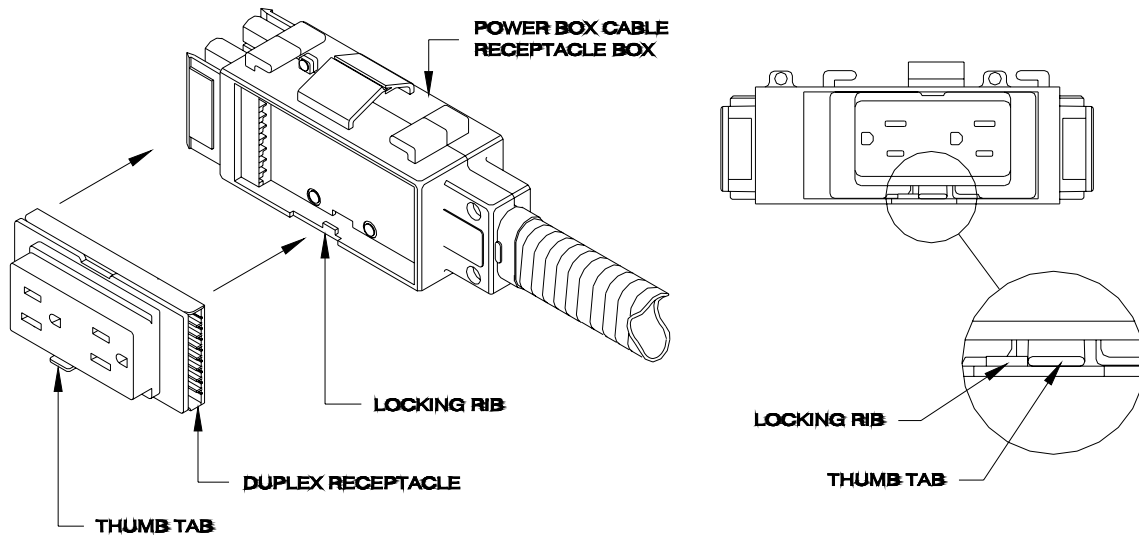
2. INSTALLING INTERCONNECTION CABLES AND PASS-THRU CABLES:

INSTALL CABLES BETWEEN JUNCTION BLOCKS AS SHOWN ON THE ELECTRICAL LAYOUT. THE SYSTEM IS BASED ON MALE AND FEMALE HOUSINGS WHICH MUST BE MATED WITH THE GABLE-SHAPED CAVITIES ALIGNED. ENGAGE THE MALE AND FEMALE HOUSINGS FIRMLY TOGETHER UNTIL THEY ARE FULLY SEATED AND THE LOCKING LATCHES SNAP IN PLACE. INSURE PROPER CONNECTION BY PULLING BACK ON THE CABLES. THE CABLES CAN BE RELEASED BY PUSHING IN ON THE LOCKING TAB AND PULLING OUT ON THE CONNECTION.



3. INSTALLING RECEPTACLES:

INSERT THE RECEPTACLE AND PUSH STRAIGHT IN UNTIL IT HITS THE INNER WALL OF THE JUNCTION BLOCK. SLIDE THE RECEPTACLE SIDWAYS UNTIL THE THUMB TAB SNAPS BEHIND THE LOCKING RIB. RECEPTACLES CAN BE REMOVED BY PUSHING ON THE THUMB TAB UNTIL IT CLEARS THE LOCKING RIB AND MOVE IT SIDWAYS AND LIFT IT OUT.



4. INSTALLING END AND SIDE POWER FEEDS:

WARNING: "RISK OF FIRE OR ELECTRICAL SHOCK. DO NOT ELECTRICALLY CONNECT TO MORE THAN ONE SOURCE OF SUPPLY. ALWAYS DETERMINE THAT THE WIRING ASSEMBLY IS ELECTRICALLY CONNECTED TO ONE AND ONLY ONE SOURCE BY A LICENSED ELECTRICIAN. ALL SOURCES MUST BE DISCONNECTED PRIOR TO ANY SERVICING. SEE SCHEMATIC DIAGRAM BELOW AND WIRING DIAGRAM ATTACHED TO THE POWER FEEDS.

END POWER FEEDS CONNECT TO PASS-THRUS OR JUNCTION BLOCKS THE SAME AS INTERCONNECTION CABLES ABOVE. THE MALE AND FEMALE HOUSINGS MUST BE MATED WITH THE GABLE-SHAPED CAVITIES ALIGNED. ENGAGE HOUSINGS FIRMLY TOGETHER UNTIL THEY ARE FULLY SEATED AND THE LOCKING LATCHES SNAP IN PLACE. INSURE PROPER CONNECTIONS BY PULLING BACK ON THE CABLES. THE POWER ENTRIES CAN BE RELEASED BY PUSHING IN ON THE LOCKING TAB AND PULLING OUT ON THE CONNECTION.

SIDE POWER FEEDS CONNECT TO JUNCTION BLOCKS THE SAME AS RECEPTACLES, ABOVE. INSERT THE SIDE POWER ENTRIES INTO THE JUNCTION BLOCK AND PUSH STRAIGHT IN UNTIL IT HITS THE INNER WALL. THEN SLIDE IT THE DIRECTION YOU WANT THE CABLE TO GO AND HINGE THE ASSEMBLY IN THAT DIRECTION AND INSTALL THE IN-FEED COVER. BE SURE THAT THE SCREWS ARE FULLY TIGHTENED AND THE COVER SECURE. SIDE POWER ENTRIES CAN BE REMOVED BY DISENGAGING THE SCREWS AND COVER AND PUSHING ON THE THUMB TAB UNTIL IT CLEARS THE LOCKING RIB AND THEN MOVE IT SIDWAYS AND LIFT IT OUT.

